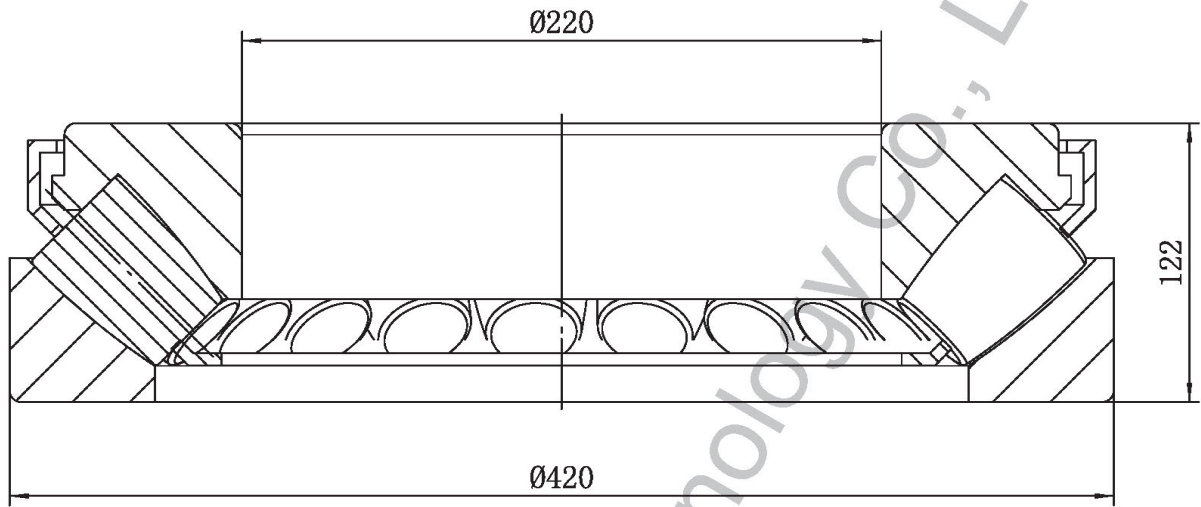


29444E



- 1 rated load: $C_r = 2410 \text{ KN}$; $C_{or} = 8950 \text{ KN}$;
- 2 Heat treatment according to the current standards

Remark:

1. Luoyang JCB Bearing Technology Co., Ltd is a technical Inc, specialize in designing and manufacturing thrust bearing, we can design and manufacture all kinds of thrust bearing according to client's requirement.
2. This drawing is reference for user, if you need formal drawing, please contact with us sales@jcb-bearing.com, the official drawing will be submitted after order confirmation.



07	cage		STEEL			
04	roller		steel GCr15-GB/T18254			
02	shaft washer		steel GCr15SiMn-GB/T18254			
01	house washer		steel GCr15SiMn-GB/T18254			Weight (kg)
serial	Name	Qty	Material	74.2		
				29444E		
				Thrust spherical roller bearing		
				Add: No.3 Lianmeng road, Luoyang, Henan, China. Postal: 471003 Website: www.jcb-bearing.com Phone: +86-379-68611678 www.sphericalrollerthrustbearing.com Fax: +86-379-68611679 E-mail: sales@jcb-bearing.com		
				Luoyang JCB Bearing Technology Co., Ltd		